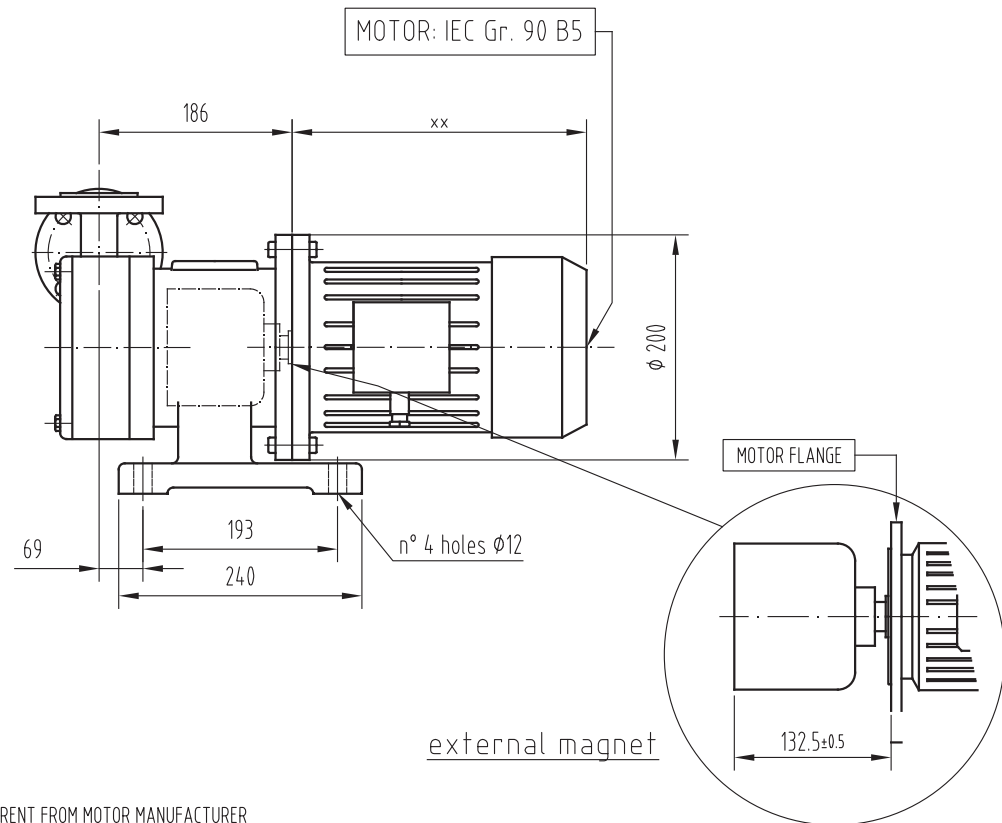


1  
dimensions in mm

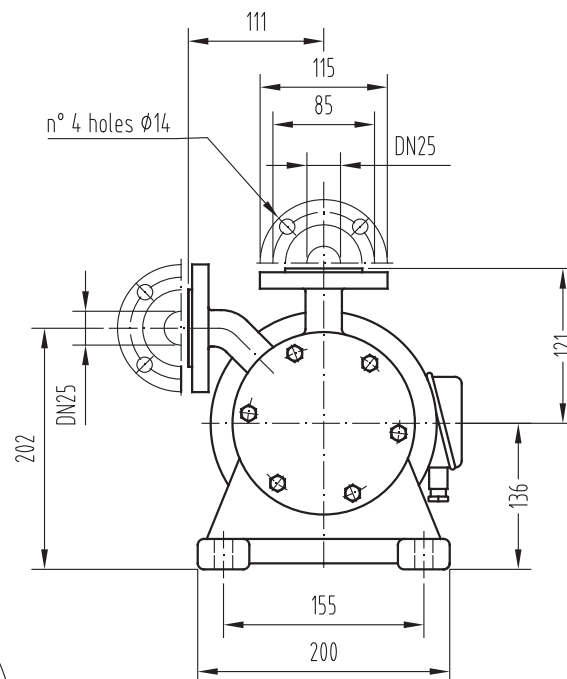
A



⊗ DIFFERENT FROM MOTOR MANUFACTURER  
- DIRECTION AND PORTS LOCATION ARE REVERSIBLE

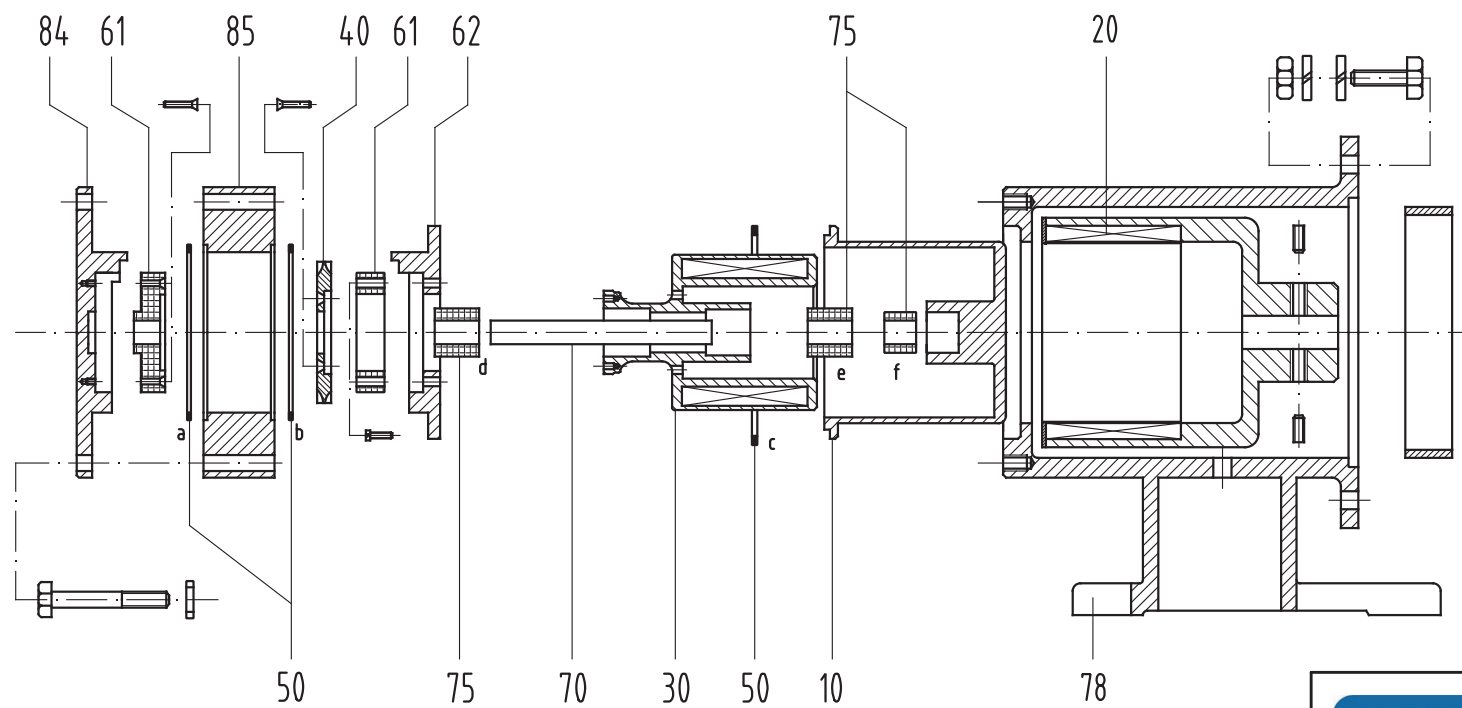
FLANGES EN 1092-1 PN 16

B



REF	DESCRIPTION	MATERIAL	CODE
10	Containment shell	SS 316	
20	Ext. Magnet	CoSm/ Carbon Steel	
30	Int. Magnet	SS 316L/CoSm	
40	Impeller	SS 316	
50	Set O-Rings (a+b+c) a + b = O-Ring 4350 (237) c = O-Ring 4400 (242)	Viton	
61	Thrust Bearings	Pcarbon	
62	Rear Ring	SS316	
70	Shaft	SIC	
75	Sleeve Bearings Bearings (d+e) Bearing (f)	SIC SS316	
78	Bracket (200-130-24)	Cast Iron	
79	Rub Ring	Bronze	
84	End Cover	SS 316	
85	Pump Casing	SS 316	
88	Rear Wet End (10+30+40+50+61+62+70+75)	/	

C



D



**MARCH PUMPEN GmbH & Co.KG**  
Rathenaustraße 2  
D-35394 Gießen  
[www.march-pumpen.com](http://www.march-pumpen.com)  
[info@march-pumpen.com](mailto:info@march-pumpen.com)

Baureihe / Series:	MTA
Typ / Type:	MTA 55 SSF
Motor:	IEC 90 B5

1 | 2 | 3 | 4 | 5 | 6